

Product Specifications

Beta 98H/C Miniature Supercardioid Condenser Horn Microphone

Overview

The Beta 98H/C miniature cardioid condenser instrument microphone clamps onto the bell of wind instruments or onto the rim of percussion instruments. The integrated gooseneck and ratcheting swivel joint allows the microphone to be easily positioned and secured, and an isolation shock-mount reduces the transmission of instrument vibrations. A gooseneck angle brace is included to provide better retention of the desired microphone placement.

Features

- Premier live performance microphone with Shure quality, ruggedness, and reliability
- Uniform supercardioid pick-up pattern for maximum gain before feedback and superior rejection of off-axis sound
- Smooth, wide frequency response with gradual presence rise and controlled proximity effect tailored for vocals
- Advanced cartridge shock mount system absorbs mechanical shock and minimizes handling noise
- Dent-resistant steel mesh grille and enamel coated metal alloy construction resist wear and abuse
- Effective built-in pop filter reduces undesirable wind and breath noise
- Very low susceptibility to RF and electromagnetic hum



BETA 98H/C

Available Models

BETA 98H/C	Miniature clip-on cardioid condenser instrument microphone with integrated horn mount, RPM626 in-line preamplifier, 25' cable
-------------------	---

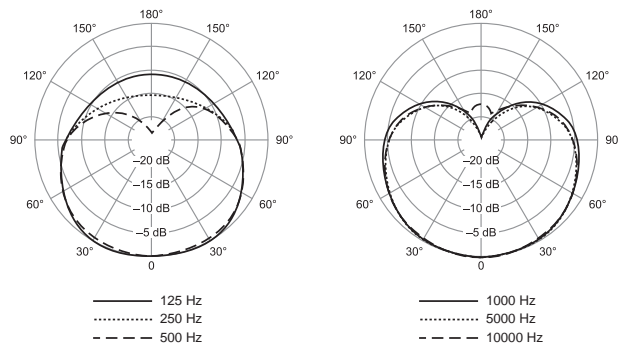
Specifications

Cartridge Type	Electret Condenser
Frequency Response	20 to 20,000 Hz
Polar Pattern	Cardioid
Output Impedance	150 ohms
Sensitivity (at 1kHz, open circuit voltage)	-56 dBV/Pa (1.6 mV) 1 Pascal=94 dB SPL
Maximum SPL (1 kHz at 1% THD, 1k ohms load)	155 SPL dB
Equivalent Output Noise (A-weighted)	31 dB SPL (typical)
Dynamic Range (at 1 kHz, 1 k ohms load)	124 dB 132 dB
Clipping Level (1 kHz at 0.25% THD, 1k ohms load)	3 dBV (1.4 V)
Signal-to-Noise Ratio (referenced at 94 dB SPL at 1 kHz)	63 dB
Polarity	Positive pressure on diaphragm produces positive voltage on pin 2 with respect to pin 3
Power Requirements	11 to 52 Vdc phantom (1.2 mA)

Furnished Accessories

RPM626	In-Line Preamplifier	95A2398	Carrying/Storage Bag
---------------	----------------------	----------------	----------------------

Polar Pattern



Frequency Response

